

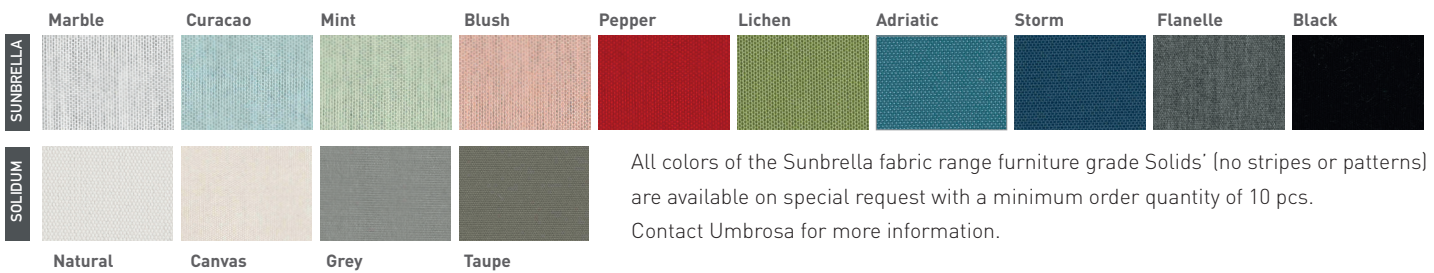
MODEL



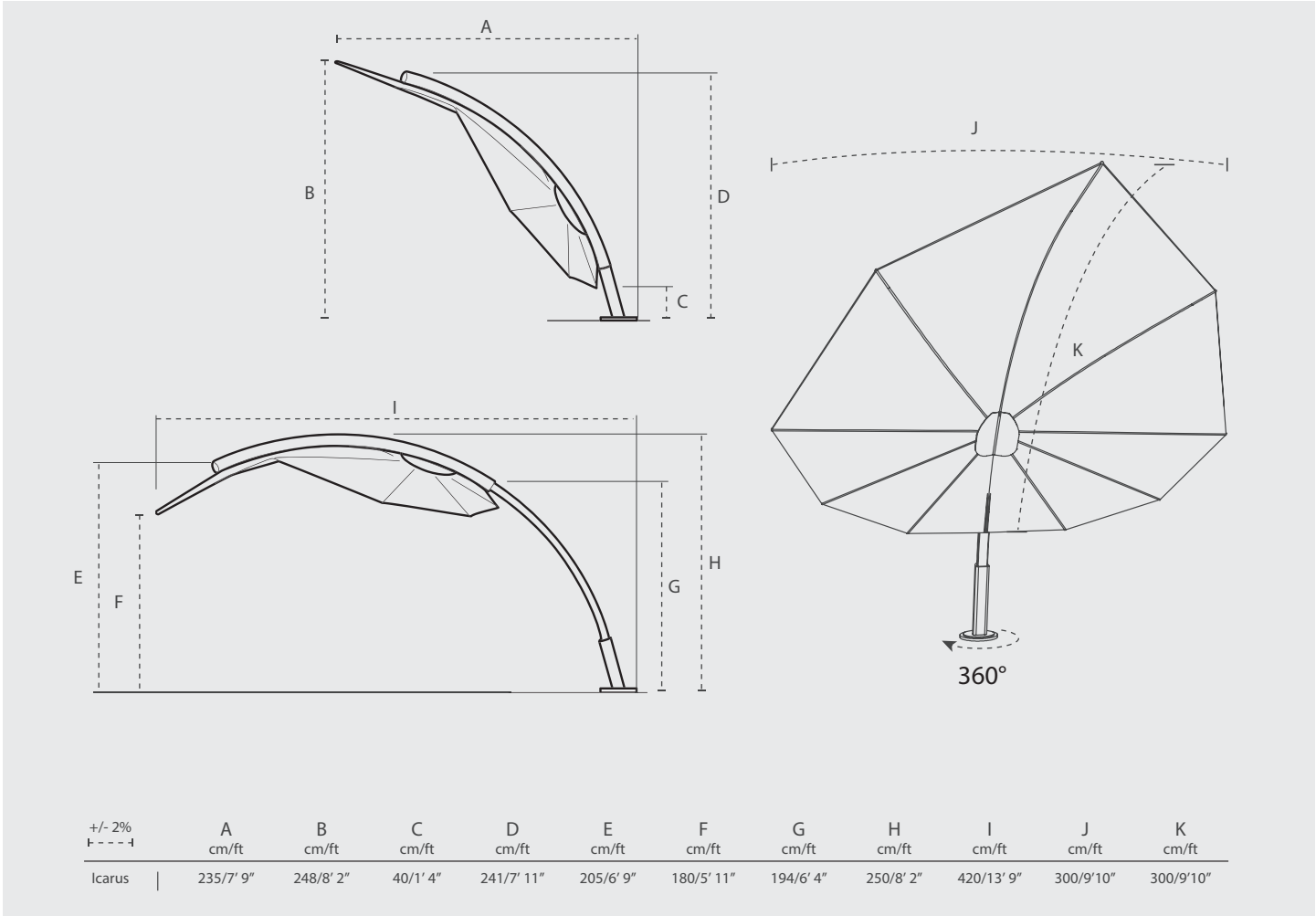
POSITIONS



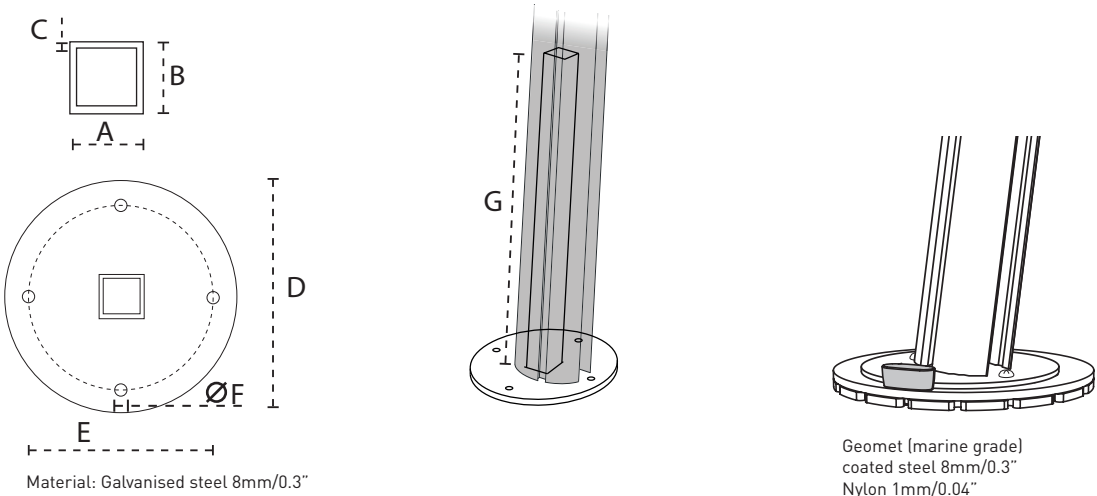
COLORS



DIMENSIONS

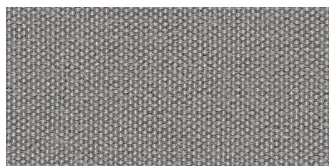


ROUND SUPPORT



	A	B	C	D	E	F	G
	mm/inch	mm/inch	mm/inch	mm/inch	mm/inch	mm/inch	mm/inch
Round support	60/2.36"	60/2.36"	3/0.12"	215/8.5"	170/6.7"	11/0.43"	490/17.3"

MATERIALS



FABRIC

Solidum – 100% Acryl 255 gr/m²
 Sunbrella – 100% Acryl 260 gr/m²
 More details – see spec sheet Fabrics



RIBS

Glass fiber Ø 12mm/0.46"



POLE

Naturally anodized
 aluminum

OTHER MATERIALS

Sliding blocks: nylon – self lubricating
 Handle: stainless steel and aluminum powder
 coated RAL 7047 TEC

For projects – consult Umbrosa for powder coating finish options (RAL).

PACKAGING & TRANSPORT

Icarus	L (cm)	W (cm)	H (cm)	Weight (kg)	L (")	W (")	H (")	Weight (lbs)
Umbrella box	305	64	31	35	10'	2' 2"	1' 0"	77

NICE TO KNOW

- Spare parts available
- Designed and manufactured in Belgium
- Warranty between 15 and 2 years, see Warranty Sheet
- Manual included
- Storage bag included (PU coated fabric)
- Wind speeds up to 6 beaufort, 50 km/h, 31 mph when base is permanently fixed
- Tested at TU Delft

The content of this document, in particular the mentioned models, is protected by copyrights and/or design rights. The present document and its content is communicated to you for information purposes only. Any partial or total reproduction or any other use without our prior written permission is strictly prohibited. This technical sheet remains subject to possible changes. Of course we do our best to eliminate all mistakes, but Umbrosa is not responsible for the errors in the documentation of products. All measurements are approximate and are provided for informational purposes only.